



## AHB80N08T-GL

### Feature:

- Support H.265+ encoding, ultra-low bitrates, compatible with H.265+ surroundings
- Support VGA, HDMI full HD output simultaneously
- Support ONVIF; access third party
- Support multiple cloud technology, network penetration, alarm information pushed to your phone and other functions
- Support web, VMS, center platform management software MYEYE, provide SDK development
- Support various mobile monitoring (iPhone, Android)
- Remote Access, With DNS (ARSP), easy to monitor remotely
- Support UTC, control signal & video stream transmit through one single coaxial
- Support XVI/AHD/TVI/CVI/CVBS/IP six signals
- Support intelligent analysis: Human shape detection, face detection, car shape detection

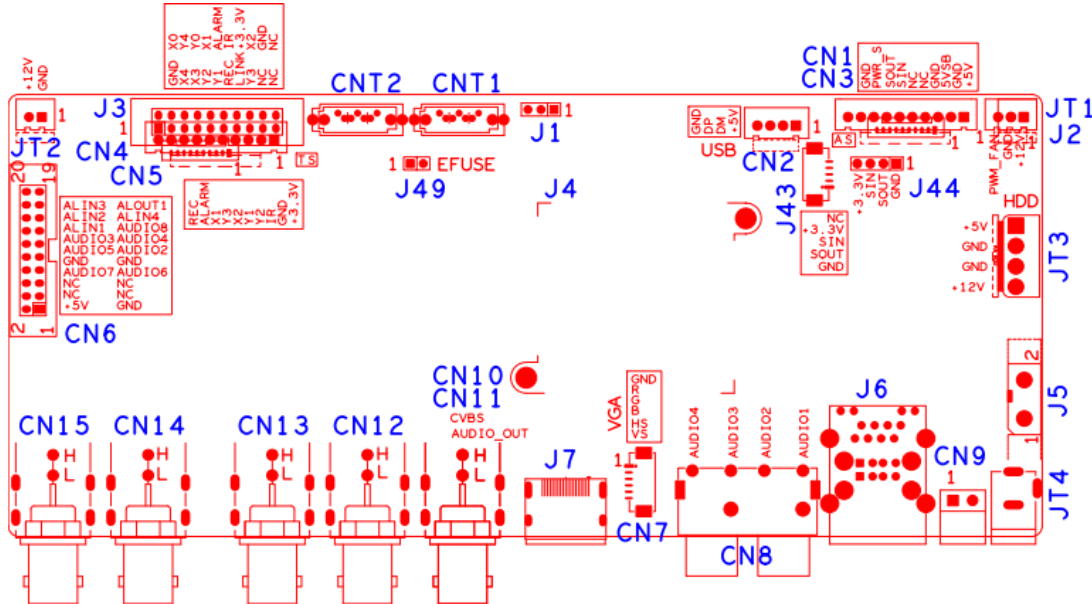


### Specification:

	<b>Model</b>	AHB80N08T-GL
System	Main processor	NT98336
Interface	Preview	1/4/8/9
Video	Codec	H.265+
	Monitor quality	VGA(1080P at most);HDMI(4K at most)
	Preview ability	8*8M@15fps (6 in 1) /8*5M@20fps (6 in 1) / 8*4M (6 in 1) /8*3M (6 in 1) /8*1080P(6 in 1) default: 8M
	Encode ability	8*8M@8fps (6 in 1) /8*5M@14fps (6 in 1) / 8*4M@18fps (6 in 1) /8*3M@21fps (6 in 1) /8*1080P(6 in 1) default: 8M
	Decode ability	8*8M@8fps (6 in 1) /8*5M@14fps (6 in 1) / 8*4M@18fps (6 in 1) /8*3M@21fps (6 in 1) /8*1080P(6 in 1) default: 8M
	Multi-mode input	Analog: 8*8M hybrid: 8*4K (analog) +8*4K (network) network: 16*4K ;16*5M
	Motion Detection	Each screen can be set to 192 (16 * 12) detection areas; multi-level sensitivity can be set (Limited local channel)
Audio	Audio compression	G.711A
	Intercom	support
Record & playback	Record mode	manual>alarm>motion detection>timing
	Local Playback	8ch(analog input mode)
	Search mode	Search by time, calendar, event, channel
Storage & backup	Video storage	HDD, network
	Backup mode	Network, USB hard disk, USB burner, SATA burner
External Interface	Video input	8ch BNC
	Video output	1ch VGA, 1ch HDMI
	Loop Vout	N/A
	Audio I/O	4(Can be extended to 8ch)/1
	Alarm I/O	0 (Can be extended to 4ch) /0 (Can be extended to 1ch)
	Network interface	RJ45 10M/100M self-adaption
	PTZ control	Support kinds of PTZ protocols



	USB	2* USB 2.0 ports
	HDD	2*SATA ports (Max 14TB/per)
	Wireless	3G, WIFI (extend via USB)
General	Power supply	12V/4A
	Power Consumption	<15W (without HDD)
	Working environment	Temperature:0℃—+55℃, Humidity:10%—90%, Atm:86kpa—106kpa
	Dimension	201mm*86mm
	Weight	182g



Function	Interface Description	Function	Function	Function	Function
CN4,CN5	10PIN front panel socket	1、+3.3	2、GND	3、FRONT_IR	4、FRONT_Y2
		5、FRONT_Y1	6、FRONT_X2	7、FRONT_Y3	8、FRONT_X1
		9、FRONT_ALARM	10、FRONT_REC		
J3	20PIN front panel socket	1、GND	2、FRONT_X0	3、FRONT_X4	4、FRONT_Y4
		5、FRONT_X3	6、FRONT_Y0	7、FRONT_Y2	8、FRONT_X1
		9、FRONT_Y1	10、ALARM	11、REC	12、FRONT_IR
		13、LINK	14、+3.3	15、FRONT_Y3	16、FRONT_X2
		17、	18、GND	19、	20、
CNT1,CNT2	SATA				
J49	EFUSE				
J1	Serial port				
CN2	USB expansion seat	1、+5	2、P_USB2_DM1	3、P_USB2_DP1	4、GND
CN1, CN3	MCU front panel socket	1、+5	2、GND	3、+5_STB	4、GND
		5、	6、	7、UART4_SIN	8、UART4_SOUT
		9、PWR_S	10、GND		
JT1,JT2	FAN power socket	1、+12	2、GND		
J2	Fan control interface	1、+12	2、GND	3、PWM_FAN	
J43, J44	433	1、GND	2、UART3_SOUT	3、UART3_SIN	4、+3.3
JT3	SATA power socket				



J5	Power switch seat				
JT4	12V input				
CN9	RS485	1、RS485_A	2、RS485_B		
J6	2USB+RJ45				
CN8	Audio input interface				
CN7	VGA				
J7	HDMI				
CN10, CN11	Audio output interface	CN10 CVBS			
CN12-CN15	BNC Video input				
CN6	Audio + alarm extension seat	1、GND	2、+5	3、	4、
		5、	6、	7、AUDIO6	8、AUDIO7
		9、GND	10、GND	11、AUDIO2	12、AUDIO5
		13、AUDIO4	14、AUDIO3	15、AUDIO8	16、ALARM_IN1
		17、ALARM_IN4	18、ALARM_IN2	19、ALOUT1	20、ALARM_IN3
J4					