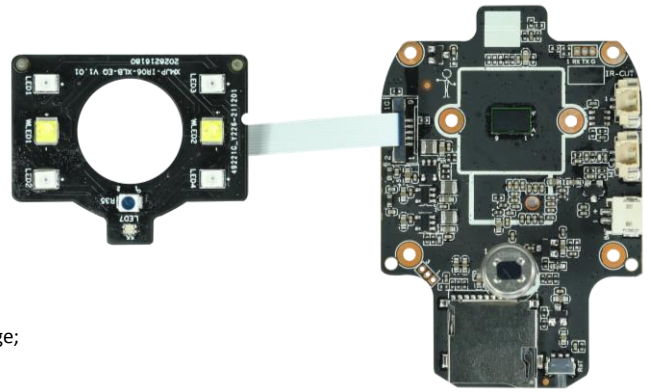


## LPG-G2-Q-MD

### 1080P Battery camera module

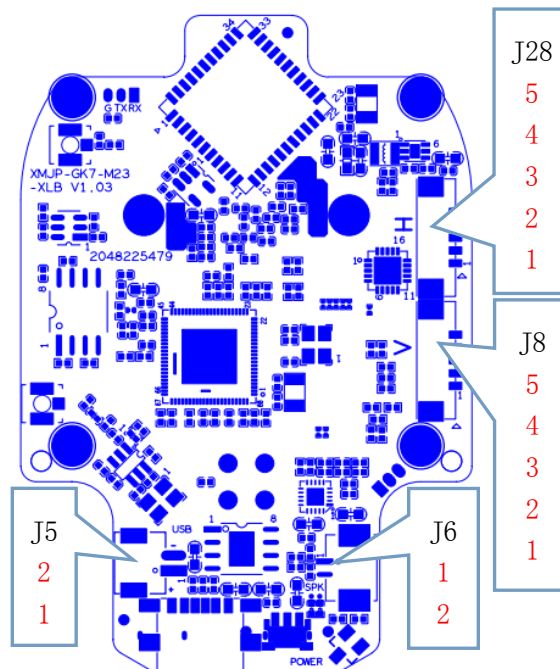
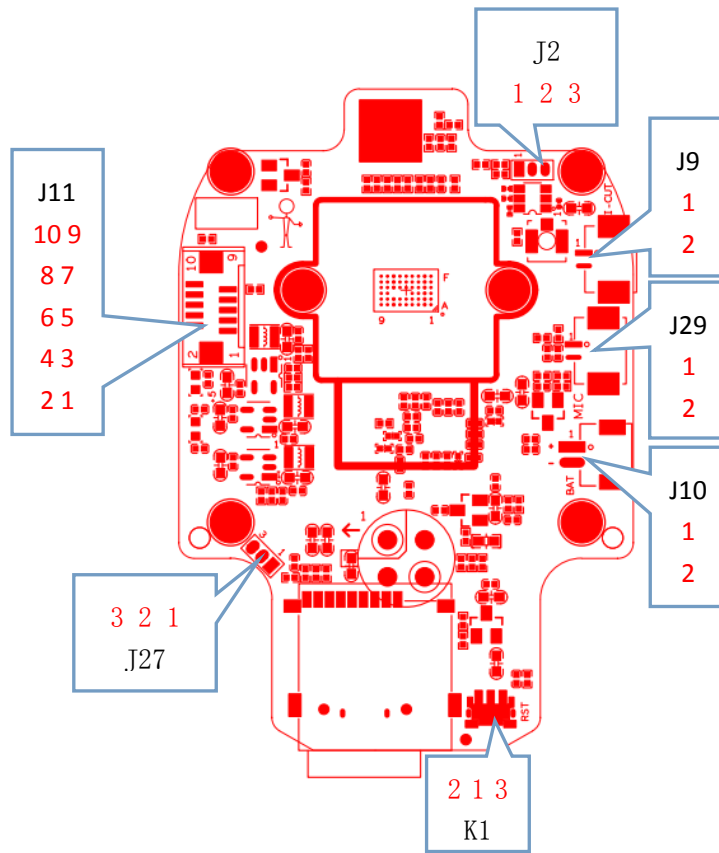
**Features:**

- 1080P resolution, clear and delicate image;
- Support PIR human infrared sensing;
- Support app remote wake-up;
- Support IR-CUT;
- DC5V power supply
- Support WiFi connections;
- Support 2D/3D noise reduction,digital wide dynamic;;
- Advanced H.265AI video compression,Super low rate,high definition quality of image;
- Professional anti-lightning,conform to GB/T17626.5 and IEC61000-4-5.
- Support mobile phone monitoring(iOS, Android);
- Support cloud technology,easy to achieve network penetration,fro in-line and alarm information pushed


**Parameters:**

Model	LPG-G2-Q-MD
System structure	dual-core 32-bit DSP (GK7202V200) , pure hard compression ,watch dog
Sensor	1080P 1/3" F37P CMOS sensor
Min. illumination	Color: 0.01Lux @(F1.2,AGC ON); 0 Lux with IR; Black/White: 0.001 Lux @ (F1.2,AGC ON),0 Lux with IR
Video compression	H.265AI coding,support dual stream,AVI;0.1M~8Mbps variable
Image output	Main stream: 1920*1080@12fps; sub-stream: 800*448@12fps
Shutter	1/50(1/60)s to 1/10,000s
Lens	N/A
Day and night	Support IR-CUT
Noise reduction	Support 2D/3D
Wide dynamic	Support
Auto iris	N/A
Audio compression	G.711 standard compression,support two-way Bidirectional Talk,support for audio and video synchronization
Audio interface	1ch input,level:2Vp-p,impedance:1kΩ,support sound pick-up input;1ch output,impedance:16Ω,30mw,support microphone;
Network interface	N/A
Extension interface	N/A
Singal interface	one IR-CUT interface
PTZ interface	One horizontal motor interface, one vertical electrical interface
Alarm I/O	N/A
Wireless interface	1 *Wireless interface,Support WiFi connections
Reset interface	Support
Storage mode	Local TF card storage, up to 128G; cloud storage
Reliability	Comprehensive lightning protection, 7 * 24 hours 65 °C high temperature stable and reliable testing
Intelligence analysis	Support PIR human infrared sensing,customizing other intelligent functions
Other function	Support cloud technology,easy to achieve network penetration,fro in-line and alarm information pushed
ONVIF	N/A
Mobile monitoring	Support multiple mobile monitoring (iOS, Android)
Power	DC5V±10%
Dimension	44mm*58mm

### LPG-G2-Q-MD Interface description



Socket	Specific No	Interface Description	Function
J11	1	+5V_BQ	+5V Power Supply
	2	+5V_BQ	+5V Power Supply
	3	3V3	3.3V
	4	GND	GND
	5	GND	GND
	6	GPIO50	White light signal
	7	RLED_EN	Infrared signal
	8	ADC_IN	Photosensitive signal
	9	MCU_LED1	Blue light distribution network indicator
	10	MCU_LED2	Red low battery indicator
J9	1	OUT1	IRCUT signal
	2	OUT2	IRCUT signal
J29	1	MIC_N	MIC signal
	2	MIC_P	MIC signal
J10	1	+5V_LI	+5V battery
	2	GND	GND
K1	1	SW_ON/OFF	SET KEY
	2	GND	GND
	3	GND	GND
	4	GND	GND
	5	GND	GND
	6	GND	GND
	7	GND	GND
J5	1	+5V_USB	+5V USB power supply
	2	GND	GND
J28	1	+5V_M2	Horizontal motor power supply
	2	4C	Horizontal motor signal
	3	3C	
	4	2C	
	5	1C	
J8	1	+5V_M1	Vertical motor power supply
	2	V_MOTO8	Vertical motor signal
	3	V_MOTO7	
	4	V_MOTO6	
	5	V_MOTO5	
J6	1	Horn signal	Horn signal
	2	Horn signal	Horn signal
J2	1	UART_RXD	Serial port receiving
	2	UART_TXD	Serial port sending
	3	GND	GND
J27	1	UART_RXD	Serial port receiving

	2	UART_TXD	Serial port sending
	3	GND	GND