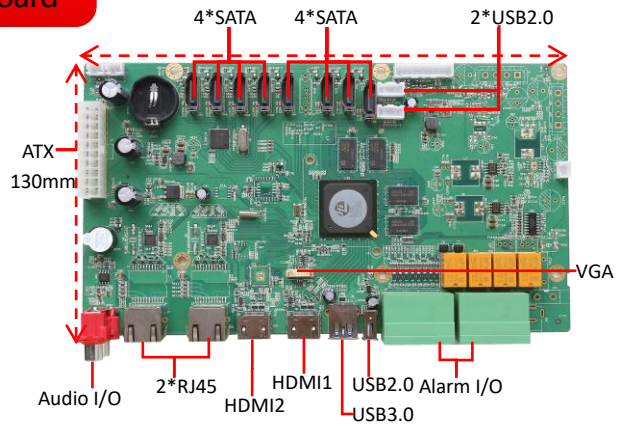


NBD8032H8-QE
32ch 4.0MP 8sata Dual LAN&Dual HDMI NVR board
Features:

- Support 2*HDMI output, support VGA output, support 4K output;
- Support 2*RJ45 1000M, Support for different network segments access;
- Support web, CMS, center platform management software MYEYE, provide SDK development;
- Support multiple cloud technology, network penetration, alarm information pushed to your phone and other functions;
- Support multiple network services (support DHCP, FTP, DNS, DDNS, NTP, UPNP, EMAIL, 3G,WIFI,IP searches etc.);
- Visit remotely,built-in ARSP,achieve start up by one step.


Technical Parameters:
Model: NBD8032H8-QE

	Model	NBD8032H8-QE
System	Main processor	Hi3536
	Operating System	Embedded Linux
	System resources	Simultaneous multi-channel real-time recording, playback, network operation, USB backup
Interface	Operator interface	16-bit true color graphic menu operation interface, support mouse operation
	Preview	1/4/8/16/24/32
Video	Video input (IP)	16*4K/24*5M/32*4M/16*1080P
	Access bandwidth	288Mbps
	Forwarding bandwidth	230Mbps
	Video compression	H.265/H.264
	Display quality	Max:4K
	Playback quality	4K/5M/4M/1080P
	Decode	4*4K/4*5M/9*4M/16*1080P
	VR	Unsupport
Audio	Motion detection	Support(depend on camera)
	Audio compression	G.711A
Record & playback	Intercom	support
	Recording mode	Manual>Alarm>Dynamic Detection>Timing
	Local playback	4*4K/4*5M/9*4M/16*1080P
	Search mode	Search by Time/Calendar/Event/Channel
	Record storage	HDD、Network
External interface	Backup mode	Network backup, USB hard disk, USB burner, SATA burner
	Video output	HDMI1 4K output, HDMI2 1080P output , Extension 1ch VGA HD output
	Audio I/O	1/1
	Alarm I/O	16/4
	Network interface	2*RJ45 10M/100M/1000M Adaptive Ethernet port, Support for different network segments access
	USB interface	1*USB2.0 ports, 1*USB3.0 ports
	HDD	8* SATA(Up to 8TB for each disk)
	ESATA	No
Other	Serial interface	1*RS485, 1*RS232
	ONVIF	Support
	Power supply	ATX
	Power Consumption	<10W(Without HDD)
	Work environment	Temperature:0℃-+55℃ , Humidity:10%-90%RH , Atm:86kpa - 106kp
	Dimension	227mm*130mm
Weight	222g	