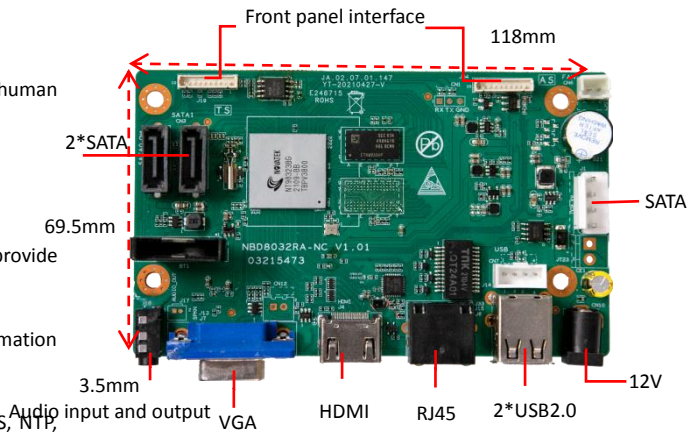


NBD80N16RA-KL

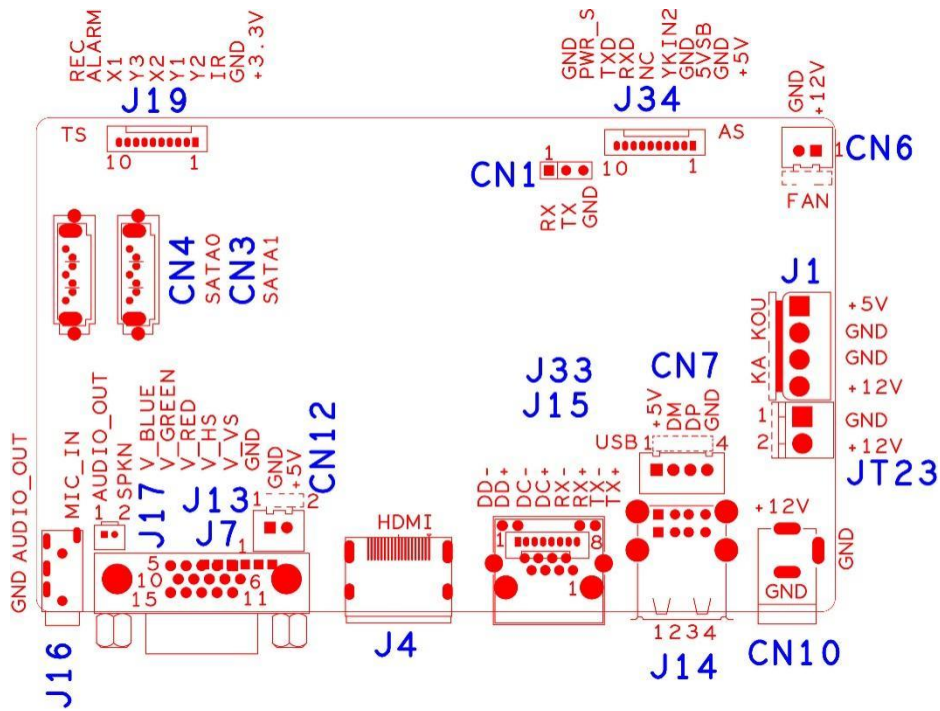
16ch 4K H.265 NVR Board

Feature:

- Support access of multiple XM smart front-end devices with human detection and face detection function.
- Support HDMI 4K output, VGA HD output;
- Support ONVIF access third party;
- Support web, CMS, center platform management software MYEYE, provide SDK development;
- Support multiple cloud technology, network penetration, alarm information pushed to your phone and other functions;
- Support multiple network services (support DHCP, FTP, DNS, DDNS, NTP, UPNP, EMAIL, IP searches, Alarm Center, etc.);
- Support GB28181 protocol access to third-party platforms.


Parameters:
Model: NBD80N16RA-KL

	Model	NBD80N16RA-KL
System	Main processor	NT98323
	Operating System	Embedded Linux
	System resources	Simultaneous multi-channel real-time recording, playback, network operation, USB backup
Interface	Operator interface	16-bit true color graphic menu operation interface, support mouse operation
	Preview	1/2/4/6/8/9/16
Video	Video input (IP)	16*4K
	Video compression	H.265A/H.265+(compatible H.265/H.264)
	Display quality	Max:4K
	Playback quality	4K/5M/4M/3M/1080P
	VR	Unsupport
Audio	Motion detection	Support(depend on camera)
	Audio compression	G.711A
Record & playback	Intercom	support
	Recording mode	Manual>Alarm>Dynamic Detection>Timing
	Local playback	2ch4K@12fps/3ch5M@20fps/4ch4M@20fps/4ch3M@20fps/6ch1080P@25fps
	Search mode	Search by Time/Calendar/Event/Channel/Face
	Record storage	HDD、 Network、 Cloud
External interface	Backup mode	Network backup, USB hard disk, USB burner, SATA burner
	Video output	1ch VGA, 1ch HDMI HD output
	Audio I/O	1/1 (3.5MM)
	Alarm I/O	0/0
	Network interface	1*RJ45 10M/100M/1000M Adaptive Ethernet port
	USB interface	2*USB2.0 ports
	HDD	2 SATA(Up to 14TB for each disk)
ESATA	No	
Other	Serial interface	No
	ONVIF	Support
	Power supply	12V/4A
	Power Consumption	<10W(Without HDD)
	Work environment	Temperature:0°C -55°C , Humidity:10%—90%RH , Atm:86kpa—106kp
	Dimension	118mm*69.5mm
Weight	A total of about 63g	



Sign	Function	Interface Description			
		1	2	3	4
J19	Expansion socket without MCU front panel (1.25*10P)	1:+3.3	2:GND	3:IR	4:COL2
		5:COL1	6:ROW2	7:COL3	8:ROW1
		9:ALARM	10:REC		
J34	Expansion base with MCU front panel (1.25*10P)	1:+5	2:GND	3:+5_STB	4:GND
		5:NC	6:NC	7:RXD_FRONT	8:TX_FRONT
		9:PWR_S	10:GND		
CN4	SATA				
CN3	SATA				
J16	Audio 3.5mm input and output interface				
J7	VGA				
J4	HDMI				
J15	RJ45				
J33	Reserved POE Extension interface				
J14	2*USB				
CN7	USB Extension interface				
CN10	12V input				
J1	Hard disk power socket	1:+5	2:GND	3:GND	4:+12
CN6	Fan power holder	1:+12	2:GND		