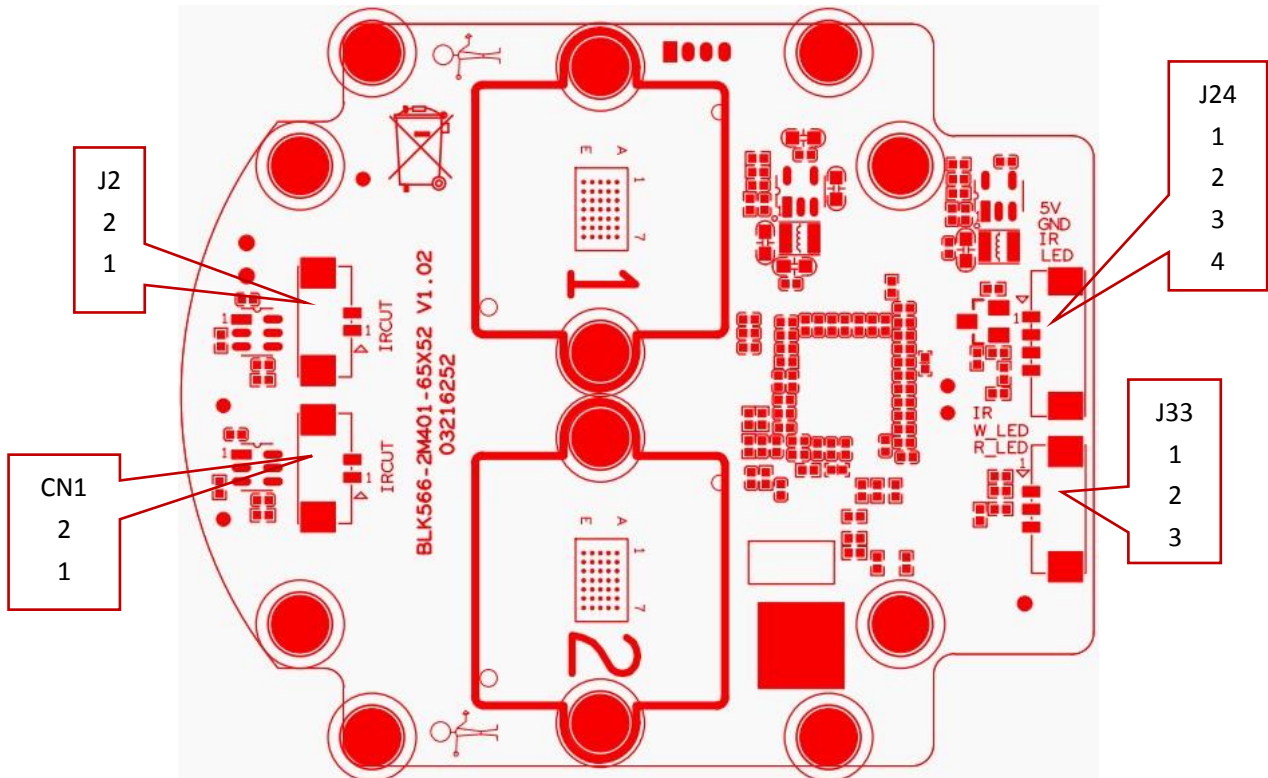
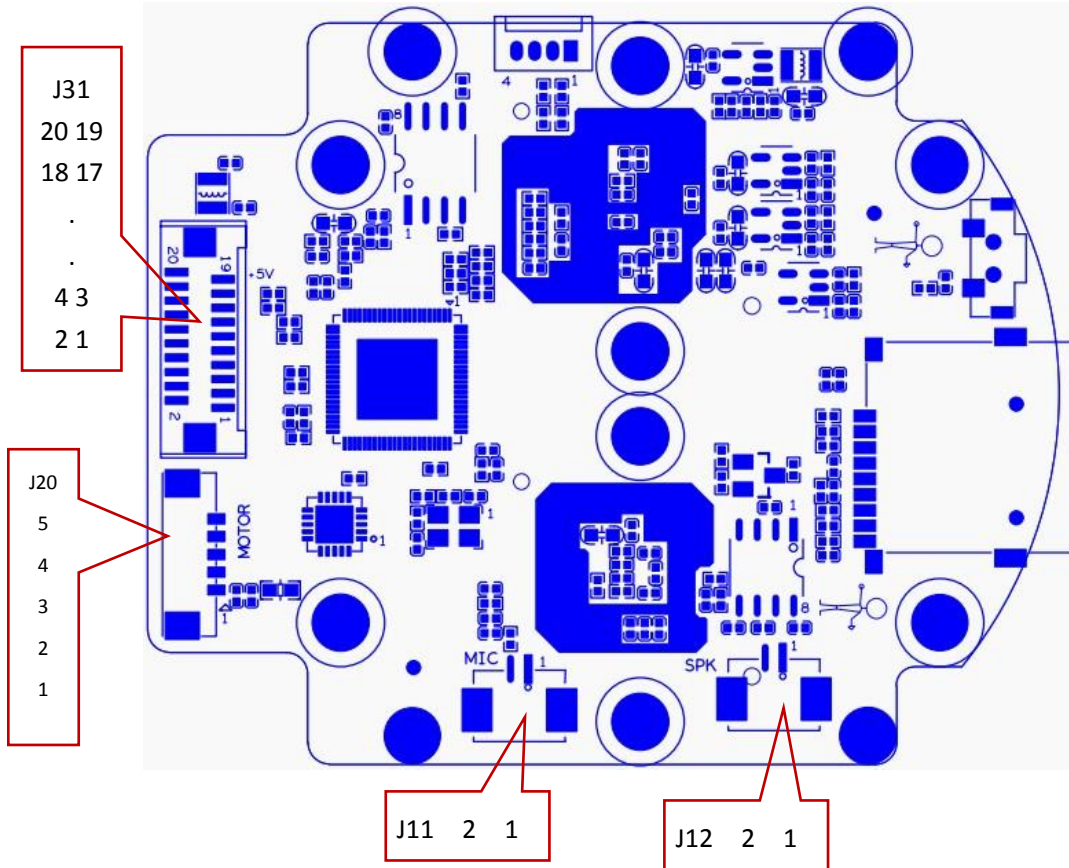


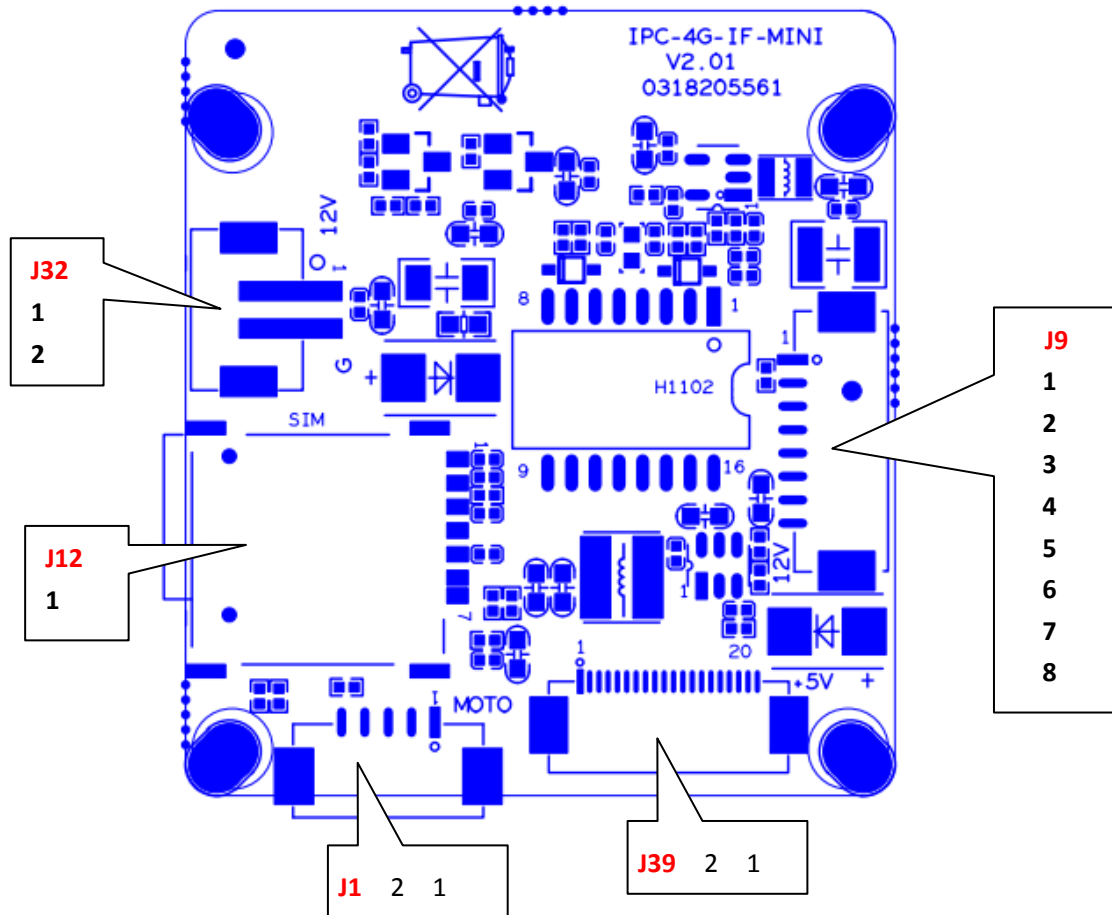
**IPG-N2-4GQ2C-M**

**Interface description**



Socket	Specific No	Interface Description	Function
J31	1	OUT1	Horizontal motor
	2	OUT2	
	3	OUT3	
	4	OUT4	
	5	GND	GND
	6	KEY_SET	RESET
	7	GND	GND
	8	WIFI_PDN	4G
	9	WIFI_DN	
	10	WIFI_DP	
	11	GND	GND
	12	TPTX-	wired
	13	TPTX+	
	14	GND	GND
	15	TPRX+	wired
	16	TPRX-	
	17	GND	GND
	18	/	
	19	5V	Power Supply
	20	5V	
2	OUT4		
3	OUT3		
4	OUT2		
5	OUT1		
J20	1	+5V_M1	Vertical motor interface
	2	OUT8	
	3	OUT7	
	4	OUT6	
	5	OUT5	
J12	1	SPKN	SPK
	2	SPKP	
J11	1	GND	MIC
	2	MIC_INP	
J2	1	OUT1	ICUT
	2	OUT2	
CN1	1	OUT1	ICUT
	2	OUT2	
J24	1	5V	Power Supply
	2	GND	GND
	3	IR	Infrared signal input

	4	LED	LED control
J33	1	IR	Infrared signal input
	2	WLED	White light enable
	3	RLED	Infrared enable



Socket	Specific No	Interface Description	Function
J32	1	12V	Lamp board interface
	2	GND	
J12	1	SIM	SIM card slot
J1	1	+5V	motor drive
	2	OUT1	

	3	OUT2	
	4	OUT3	
	5	OUT4	
J9	1	KEY_SET	Reset
	2	LED	Network port indicator light (false) always on
	3	ETHTX+	Network port signal
	4	ETHTX-	
	5	ETHRX+	
	6	ETHRX-	
	7	GND	GND
	8	+12V	12V
J39	1...4	OUT1-OUT4	Horizontal motor control
	5,7,11,14,17	GND	GND
	6	KEY_SET	Reset
	8,9,10	Wifi	Wif data line
	12,13,15,16	ETH	ETH signal line
	18	1V8	1.8V
	19,20	+5V	5V