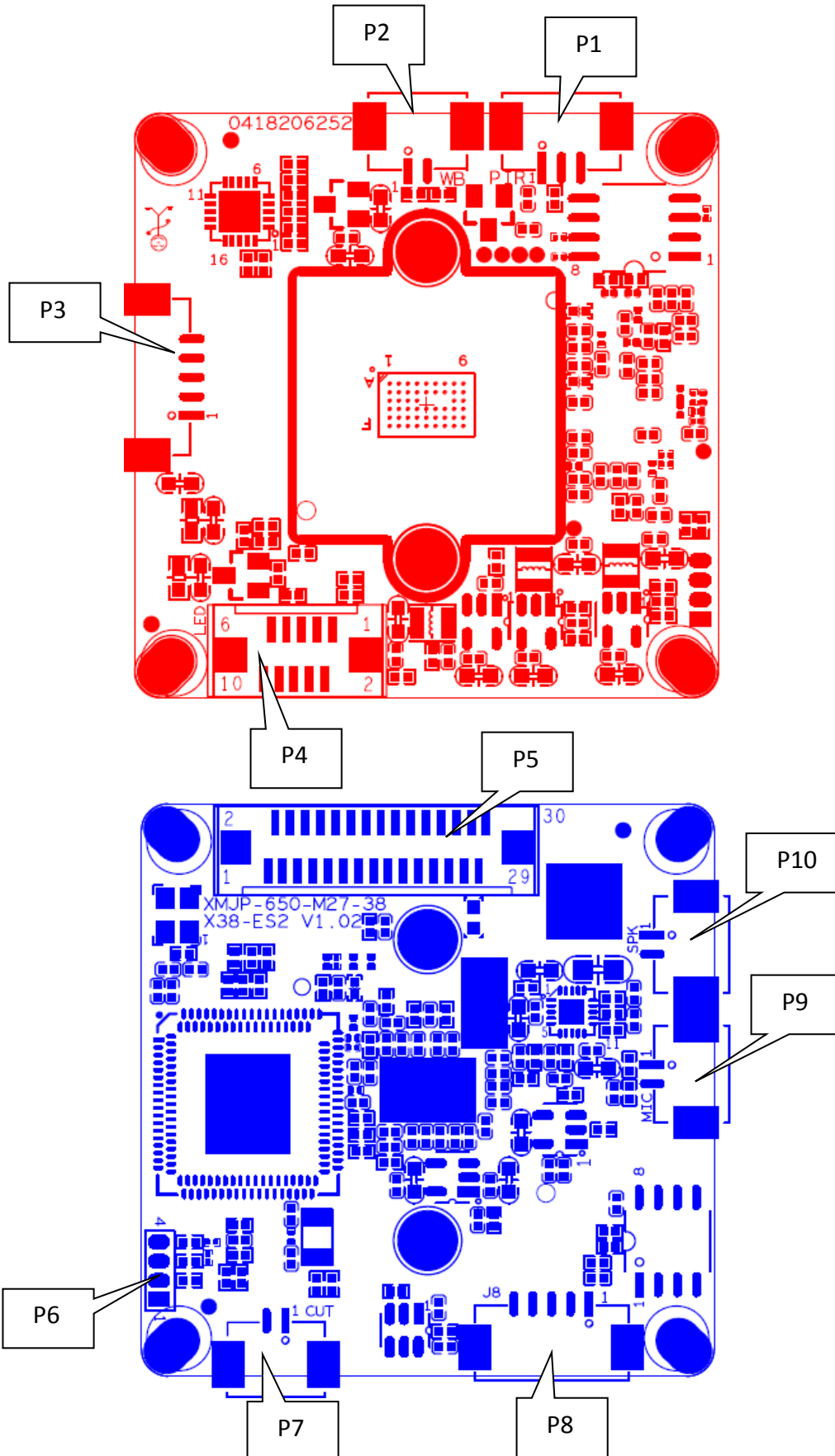
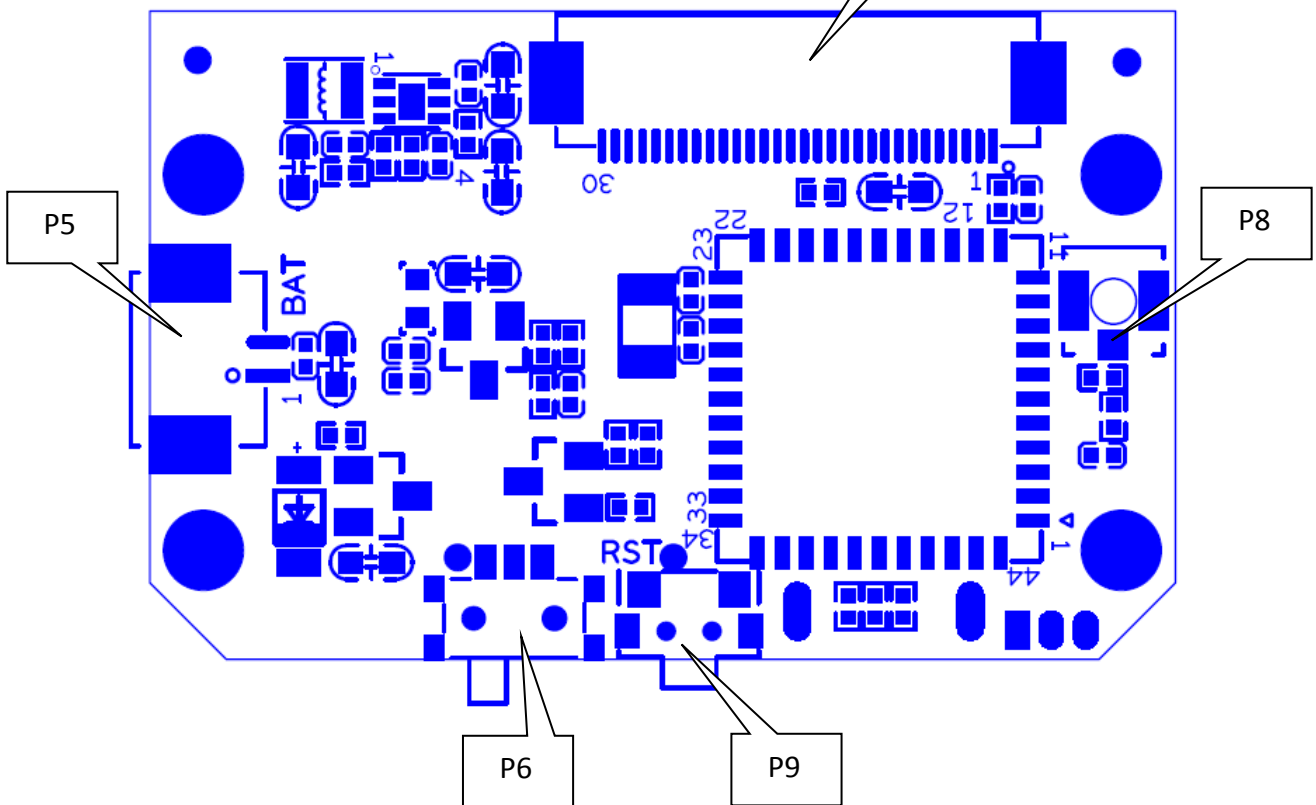
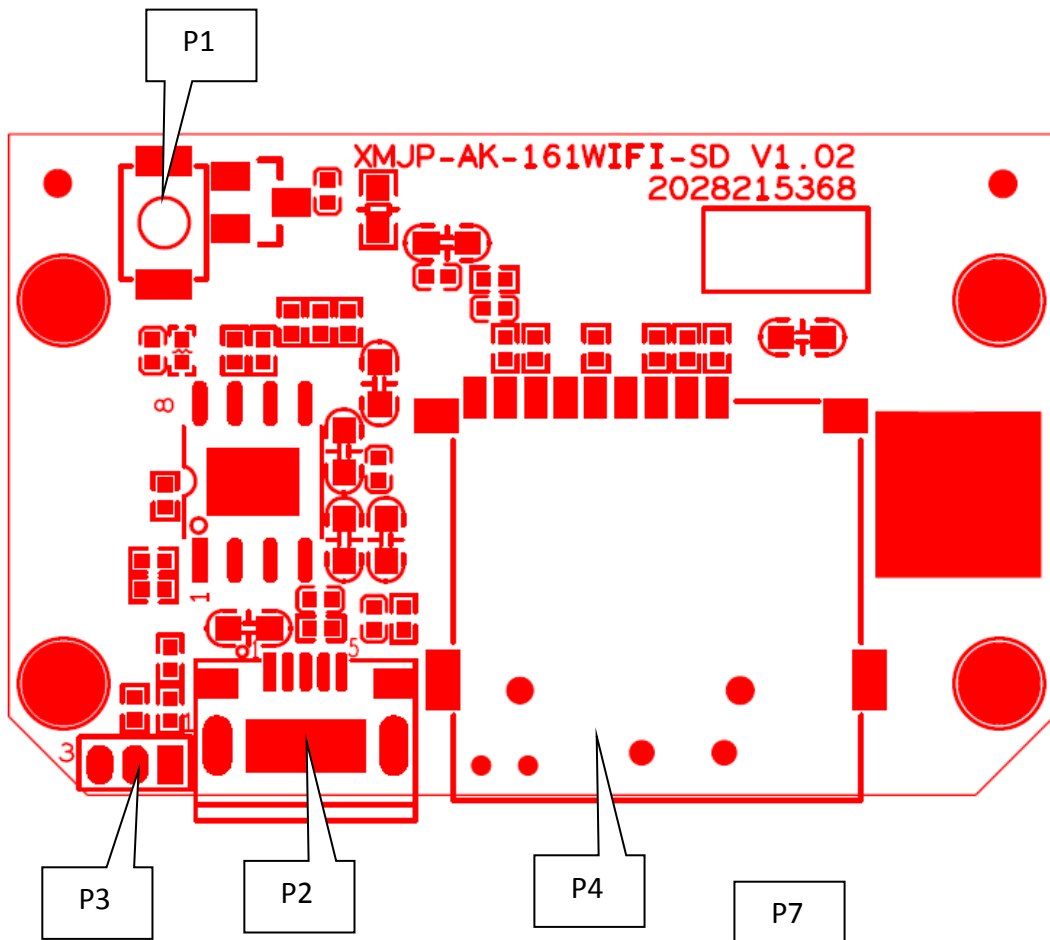


LPG-EG3X- Interface description



sign	Socket	Specific No	Interface Description	Function
P1	J1	1	+3.3V_PIR	3.3V PIR power supply
		2	GND	GND
		3	PIR_IN	PIR signal
P2	J10	1	WB_IN	Microwave signal (reserved)
		2	+5V_BQ	4.2v power supply
P3	J2	1	+5V_M1	Horizontal motor power supply 4.2V
		2	4C	Horizontal motor signal
		3	3C	Horizontal motor signal
		4	2C	Horizontal motor signal
		5	1C	Horizontal motor signal
P4	J3	1	GND	GND
		2	+5V_BQ	4.2V power supply
		3	3.3V	3.3V power supply
		4	3.3V	3.3V power supply
		5	GND	GND
		6	GND	GND
		7	LED_EN	Infrared light switch signal high effective
		8	ADC_IN	Photosensitive signal
		9	MCU_LED1	LED indicator
		10	MCU_LED2	LED indicator
P5	J4	1	WIFI_CLK	WiFi clock
		2	GND	GND
		3	WIFI_CMD	WiFi command
		4	WIFI_DATA0	WiFi signal
		5	GND	GND
		6	PWR_HOLD	Power enable
		7	PIR_IN	PIR induction
		8	GND	GND
		9	CARD_DETECT	SD card detection
		10	SD_EN	SD card enable
		11	SD0_DATA3	SD card data
		12	SD0_DATA0	SD card data
		13	SD0_DATA1	SD card data
		14	SD0_DATA2	SD card data
		15	SD0_CMD	SD card command
		16	SD0_CLK	SD card clock output signal
		17	GND	GND
		18	SD1_HOST_INT0	WiFi interrupt signal
		19	MCU_LED1	LED light

		20	MCU_LED2	LED light
		21	SW_ON/OFF	switch
		22	GND	GND
		23	WB_IN	microwave signal
		24	GND	GND
		25	3V3	3.3V power supply
		26	+5V_LI	4.2V lithium battery
		27	GND	GND
		28	GND	GND
		29	+5V_BQ	4.2V power supply
		30	+5V_BQ	4.2V power supply
P6	J5	1	GND	GND
		2	UART0_TXD	Serial port
		3	UART0_RXD	Serial port
		4	BOOTSELO	Configuration signal
P7	J9	1	OUT1	ICR signal
		2	OUT1	ICR signal
P8	J8	1	+5V_M2	Vertical motor power supply 4.2V
		2	V_MOT08	Vertical motor signal
		3	V_MOT07	Vertical motor signal
		4	V_MOT06	Vertical motor signal
		5	V_MOT05	Vertical motor signal
P9	J7	1	MICN	Mic negative
		2	MICP	Mic positive
P10	J6	1	VOP	Horn signal positive
		2	VON	Horn signal negative



sign	Socket	Specific No	Interface Description	Function
P1	K1	1		MCU reset button
P2	J7	1		Micro USB interface
P3	J4	1	UART0_RXD	Serial port
		2	UART0_TXD	Serial port
		3	GND	GND
P4	J9	1	SDIO1_CDATA2	SD card data
		2	SDIO1_CDATA3	SD card data
		3	SDIO1_CCMD	control command
		4	3.3VSD	3.3V power supply
		5	SDIO1_CCLK_OUT	Clock signal output
		6	GND	GND
		7	SDIO1_CDATA0	SD card data
		8	SDIO1_CDATA1	SD card data
		9	CARD_DECT	SD card detection
P5	J6	1	GND	GND
		2	+5V_LI	Battery positive seat
P6	J2	1	Toggle switch	Battery switch function
P7	J3	30	SD1_CLK	WiFi clock
		29	GND	GND
		28	SD1_CMD	WiFi control command
		27	SD1_DO	WiFi data signal
		26	GND	GND
		25	MCU_POWER_EN	Power enable
		24	PIR_IN	PIR induction
		23	GND	GND
		22	CARD_DETECT	SD card detection
		21	SD_EN	SD card enable signal
		20	SDIO1_CDATA3	SD card data
		19	SDIO1_CDATA0	SD card data
		18	SDIO1_CDATA1	SD card data
		17	SDIO1_CDATA2	SD card data
		16	SDIO1_CCMD	SD card command
		15	SDIO1_CCLK_OUT	SD card clock output signal
		14	GND	GND
		13	SD1_HOST_INT0	WiFi interrupt signal
		12	MCU_LED1	LED light
		11	MCU_LED2	LED light
10	SW_ON/OFF_F	switch		

		9	GND	GND
		8	WB	
		7	GND	GND
		6	3.3V	3.3V power supply
		5	+5V_LI	4.2V lithium battery
		4	GND	GND
		3	GND	GND
		2	+5VBQ	4.2V power supply
		1	+5VBQ	4.2V power supply
P8	J1	1		antenna
P9	K2	1	switch	Switch wake-up, reset button low level effective