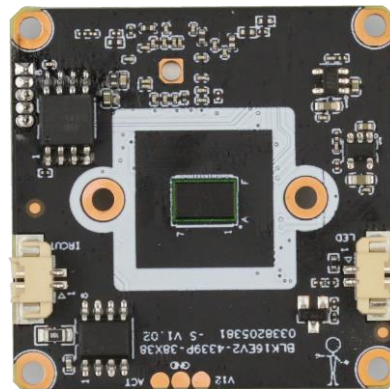


IVG-85HF30PSB-ST

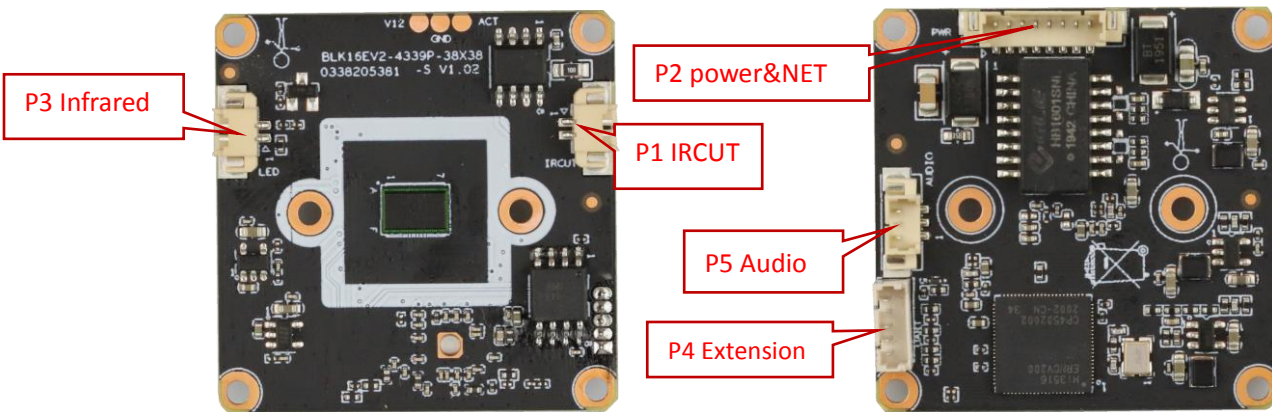
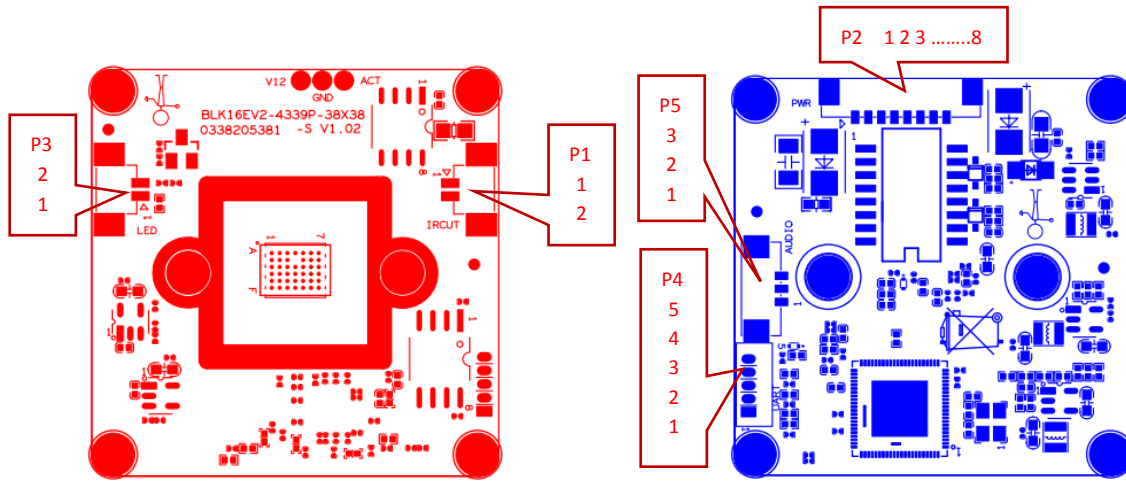
3.0M Black light illumination H.265 AI IP Camera Module

Features:

- Supporting human detection, face detection, and support to customize other intelligent functions
- 3.0MP HD Black light illumination resolution,clear and fine images;
- Support 2D/3D noise reduction,digital wide dynamic;
- Advanced H.265AI/H.265+ (Compatible with H.265/H.264) video compression,Super low rate,high definition quality of image;
- Professional anti-lightning,conform to GB/T17626.5 and IEC61000-4-5.
- Support ONVIF;access third party;
- Support various mobile monitoring(iPhone,Android);
- Provide web、CMS、center platform management software MYEYE,provide SDK development
- Support cloud technology,easy to achieve network penetration, fro in-line and alarm information pushed


Parameters:

Model	IVG-85HF30PSB-ST
System structure	Embedded RTOS,dual-core 32bit DSP(Hi3516EV200),pure hard compression ,watch dog
Sensor	3.0M 1/2.8"SC337H Black light illumination CMOS sensor,color 0.0001Lux@F1.2,black/white 0.0001Lux@F1.2
Video compression	H.265AI/H.265+ (Compatible with H.265/H.264) support dual stream,AVI;0.1M~8Mbps variable;1~30f/s variable
Image output	Main stream: 2304*1296@20fps, 1920*1080@25fps; sub-stream: 800*448@25fps, 704*576@25fps, 640*360@25fps
Shutter	1/50(1/60)s to 1/10,000s
Lens	N/A
Day and night	Support IR-CUT, IR-CUT coil has an internal resistance of 20 ohms, the power-on time is less than 200ma, and the voltage is 3.5V-6V
Noise reduction	Support 2D/3D
Wide dynamic	Support digital Wide dynamic
Auto iris	N/A
Audio compression	G.711,support bidirectional talk,audio&video synchronization
Audio interface	1ch input,level:2Vp-p,impedance:1kΩ,support sound pick-up input;1ch output,impedance:16Ω,30mw,support microphone
Network interface	1*RJ45 10/100M adaptive Ethernet port; support RTSP/FTP/DHCP/NTP/UPnP etc
Extension interface	Support external audio power amplifier, white light signal control, UART to expand other functions
Singal interface	One photo resistance interface,one IR-CUT interface ,support photo resistance signal and IR-CUT links to IR
PTZ	N/A
Motor interface	N/A
Alarm I/O	N/A
WIFI interface	N/A
Reset interface	N/A
SD Card	N/A
Reliability	Comprehensive lightning protection, 7 * 24 hours 65 °C high temperature stable and reliable testing
Intelligence analysis	Supporting human detection, face detection, and support to customize other intelligent functions
Other function	Support WEB,OSD,live video transmission,motion detect and IO alarm,front-end storage/playback/download, and center reminder and image linkage,support JPEG capture; united remote client monitoring sofaware、MYEYE;perfect SDK;
ONVIF	Support
Mobile monitoring	Support multiple mobile monitoring (iOS, Android)
Power	DC12V/2A input, power consumption:≤3W,
Dimension	38mm*38mm
Other	Support POE power supply, not support any custom, The drive voltage of the light board is at 3.3V



sign	Socket	Specific No	Interface Description	Function
P1	J4	1	IRCUT-CONTROL2	Ic-cut drive
		2	IRCUT-CONTROL1	
P4	J1	1	UATRO_RXD	UATRO_RXD
		2	UATRO_TXD	UATRO_TXD
		3	UATR1_RXD	UATR1_RXD
		4	UATR1_TXD	IO port audio power amplifier control
		5	ALARM	White light output
P3	J2	1	GND	GND
		2	IRIN_GPIO1_7	Infrared signal input
P5	J8	1	GND	GND
		2	AC_INL	Audio input
		3	AC_OUTL	Audio output
P2	J3	1	ETH_LINK_STA_LED	LED
		2	ETH_LINK_ACT_LED	LED
		3	ETHTX+	ETHTX+
		4	ETHTX-	ETHTX-
		5	ETHRX+	ETHRX+
		6	ETHRX-	ETHRX-
		7	GND	GND
		8	VCC	12V input