

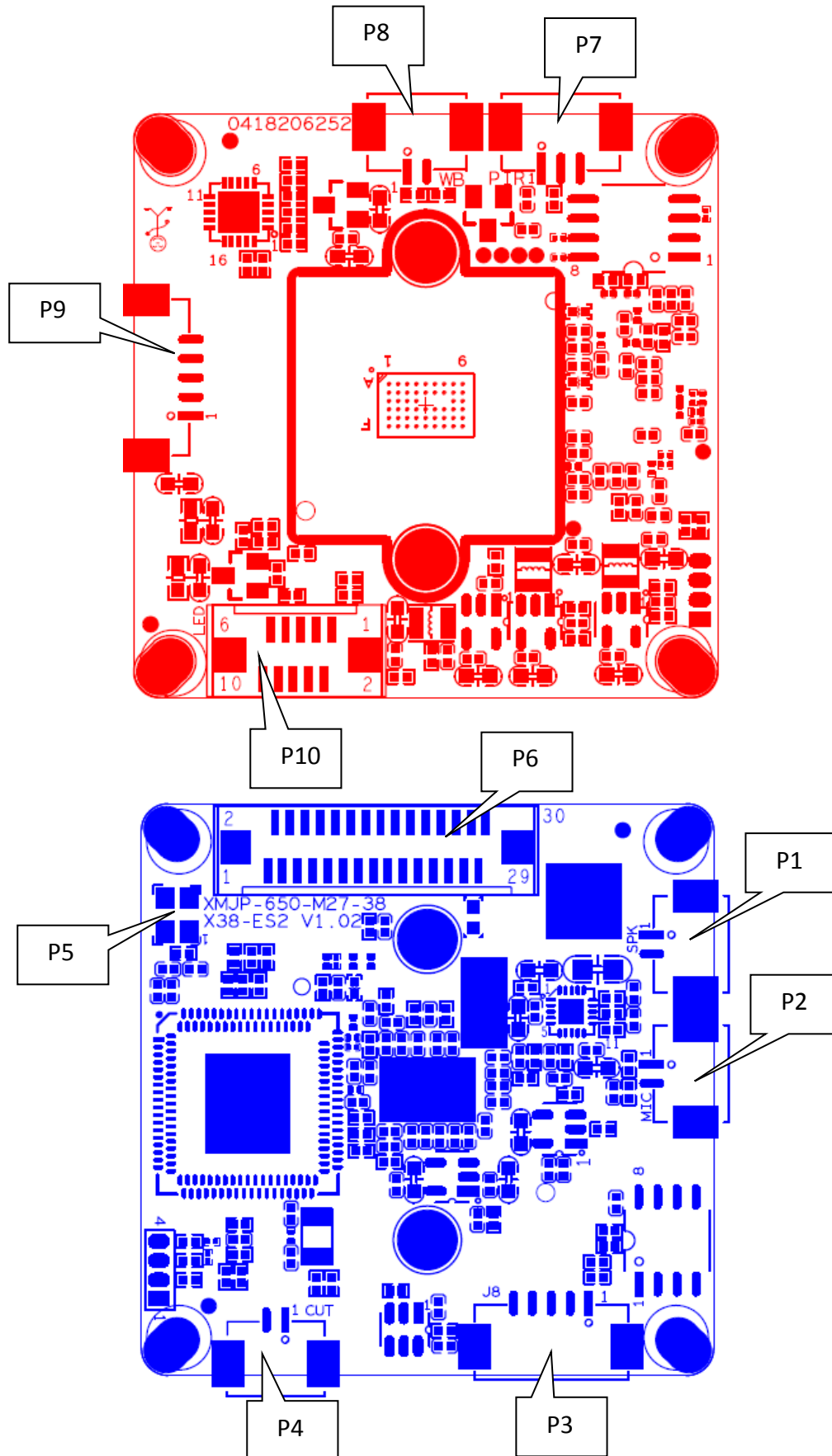
LPG-QG3X-S
3MP Solar Dome Camera module
Features:

- 3MP resolution, clear and delicate image;
- Support PIR human infrared sensing detection;
- Support app remote wake-up;
- Support IR-CUT;
- DC5V power supply, Support solar power supply duration (need external solar power panel);
- Support wifi connections;
- Support 2D/3D noise reduction,digital wide dynamic;
- Advanced H.265X video compression,Super low rate,high definition quality of image;
- Professional anti-lightning,conform to GB/T17626.5 and IEC61000-4-5;
- Support mobile phone monitoring(iOS, Android);
- Support cloud technology,easy to achieve network penetration,fro in-line and alarm information pushed;


Parameters:

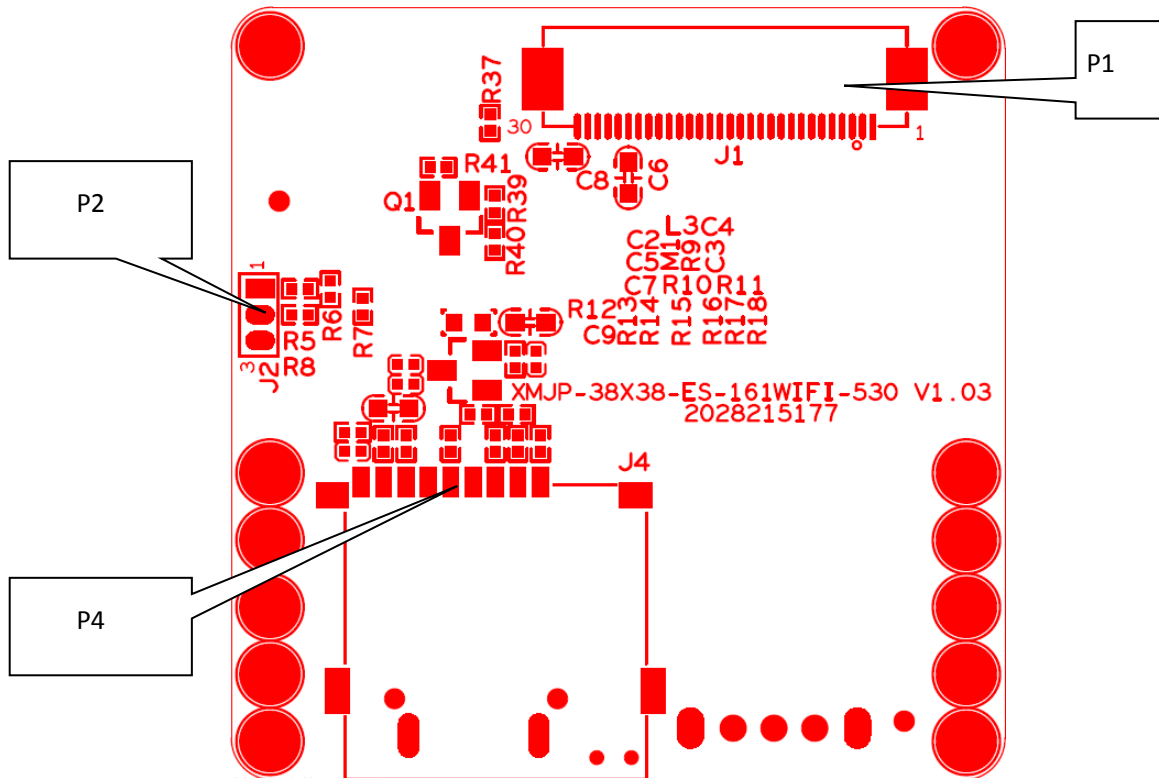
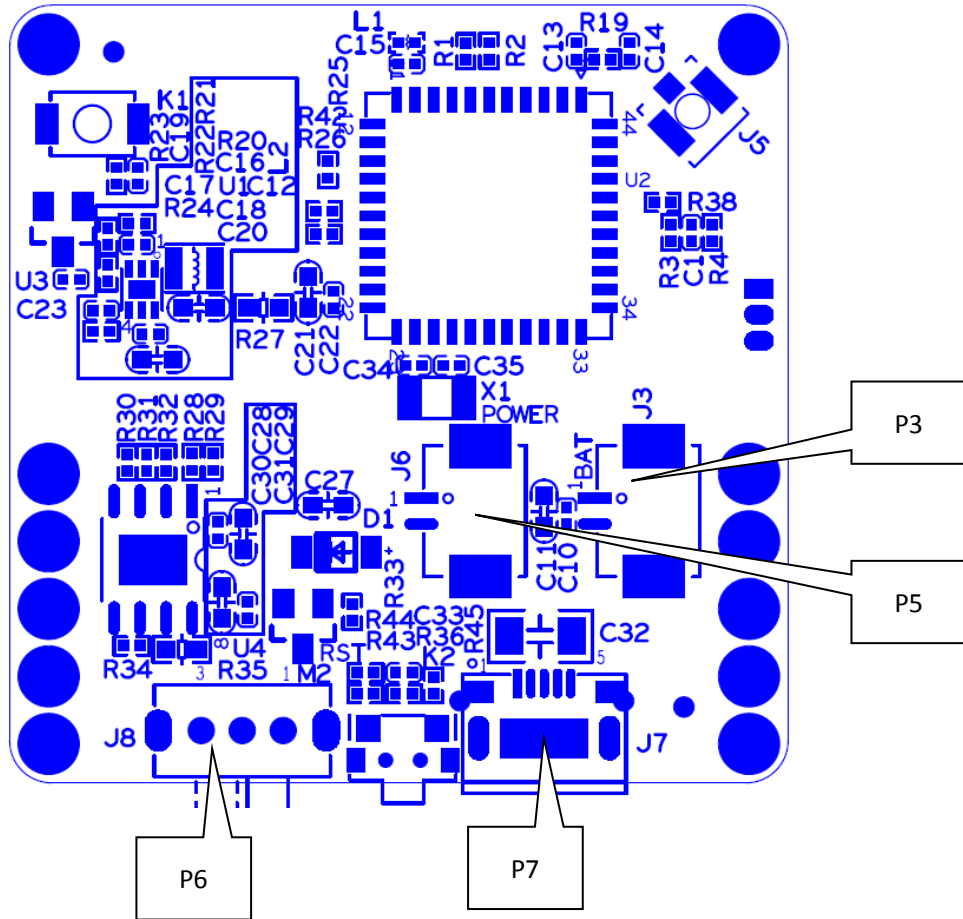
Model	LPG-QG3X-S
System structure	dual-core 32-bit DSP, pure hard compression ,watch dog
Sensor	3MP 1/2.7"Q03 CMOS sensor
Min.illumination	Color: 0.01Lux @(F1.2,AGC ON); 0 Lux with IR; Black/White: 0.001 Lux @ (F1.2,AGC ON),0 Lux with IR
Video compression	H.265X coding, support dual stream,AVI;0.1M~8Mbps variable
Image output	Main stream: 2288*1288@12fps; sub-stream: 800*448@12fps
Shutter	1/50(1/60)s to 1/10,000s
Lens	N/A
Day and night	Support IR-CUT
Noise reduction	Support 2D/3D
Wide dynamic	Support
Auto iris	N/A
Audio compression	G.711 standard compression, support two-way Bidirectional Talk, support for audio and video synchronization
Audio interface	1ch input,level:2Vp-p,impedance:1kΩ,support sound pick-up input;1ch output,impedance:16Ω,30mw,support microphone;
Network interface	N/A
Extension interface	N/A
Singal interface	one IR-CUT interface
PTZ interface	One horizontal motor interface, one vertical electrical interface
Alarm I/O	N/A
Wireless interface	1 *Wireless interface, Support WiFi connections
Reset interface	Support
Storage mode	Local TF card storage, up to 128G; cloud storage
Reliability	Comprehensive lightning protection, 7 * 24 hours 65 °C high temperature stable and reliable testing
Intelligence analysis	Support PIR human infrared sensing detection and customizing other intelligent functions
Other function	Support cloud technology, easy to achieve network penetration, fro in-line and alarm information pushed
ONVIF	N/A
Mobile monitoring	Support multiple mobile monitoring (iOS, Android)
Power	DC5V ± 10%
Dimension	38mm*38mm+38mm*38mm
Other	N/A

LPG-QG3X-S-Interface description



sign	Socket	Specific No	Interface Description	Function
P6	J4	1	SD1_CLK	wifi clock
		2	GND	GND
		3	SD1_CMD	WiFi command
		4	SD1_DO	Wifi signal
		5	GND	GND
		6	MCU_POWER_EN	Power enable
		7	PIR_IN	PIR sensing
		8	GND	GND
		9	CARD_DETECT	SD card detection
		10	SD_EN	SD card enable
		11	SDIO1_CDATA3	SD card data
		12	SDIO1_CDATA0	SD card data
		13	SDIO1_CDATA1	SD card data
		14	SDIO1_CDATA2	SD card data
		15	SDIO1_CCMD	SD card command
		16	SDIO1_CCLK_OUT	SD card clock output signal
		17	GND	GND
		18	SD1_HOST_INT0	WiFi interrupt signal
		19	MCU_LED1	LED lamp
		20	MCU_LED2	LED lamp
		21	SW_ON/OFF	switch
		22	GND	GND
		23	WB_IN	microwave signal
		24	GND	GND
		25	3.3V	3.3V power supply
		26	+5V_LI	4.2V lithium battery
		27	GND	GND
		28	GND	GND
		29	+5VBQ	4.2V power supply
		30	+5VBQ	4.2V power supply
P5	J5	1	UART0_RXD	Serial port
		2	UART0_TXD	Serial port

		3	GND	GND
P1	J6	1	VOP	Horn signal positive
		2	VON	Horn signal negative
P10	J3	1	GND	GND
		2	+5V_BQ	4.2V power supply
		3	3.3V	3.3V power supply
		4	3.3V	3.3V power supply
		5	GND	GND
		6	GND	GND
		7	LED_EN	Led input enable
		8	ADC_IN	Photosensitive signal
		9	MCU_LED1	LED lamp
		10	MCU_LED2	LED lamp
P2	J7	1	GND	GND
		2	MIC_P	MIC positive
P7	J1	3	Pir	PIR output signal
		2	地	GND
		1	3.3v_pir	PIR power supply
P3	J8	1	+5V_M2	Vertical motor power supply 4.2V
		2	V_MOT08	Vertical motor signal
		3	V_MOT07	Vertical motor signal
		4	V_MOT06	Vertical motor signal
		5	V_MOT05	Vertical motor signal
P4	J9	1	ICUT_P	ICUT signal
		2	ICUT_N	ICUT signal
P9	J2	1	+5V_M1	Horizontal motor power supply 4.2V
		2	4C	Horizontal motor signal
		3	3C	Horizontal motor signal
		4	2C	Horizontal motor signal
		5	1C	Horizontal motor signal
P8	J10	1	WB_IN	microwave signal
		2	+5V_BQ	4.2v power supply



sign	Socket	Specific No	Interface Description	Function
P1	J1	1	SD1_CLK	wifi clock
		2	GND	GND
		3	SD1_CMD	WiFi command
		4	SD1_DO	Wifi signal
		5	GND	GND
		6	MCU_POWER_EN	Power enable
		7	PIR_IN	PIR sensing
		8	GND	GND
		9	CARD_DETECT	SD card detection
		10	SD_EN	SD card enable
		11	SDI01_CDATA3	SD card data
		12	SDI01_CDATA0	SD card data
		13	SDI01_CDATA1	SD card data
		14	SDI01_CDATA2	SD card data
		15	SDI01_CCMD	SD card command
		16	SDI01_CCLK_OUT	SD card clock output signal
		17	GND	GND
		18	SD1_HOST_INT0	WiFi interrupt signal
		19	MCU_LED1	LED lamp
		20	MCU_LED2	LED lamp
		21	SW_ON/OFF	switch
		22	GND	GND
		23	WB_IN	microwave signal
		24	GND	GND
		25	3.3V	3.3V power supply
		26	+5V_LI	4.2V lithium battery
		27	GND	GND
		28	GND	GND
		29	+5VBQ	4.2V power supply
		30	+5VBQ	4.2V power supply

P2	K2	1		High level reset button
P3	J3	1	GND	GND
		2	Bat	Battery positive
P4	J4	1	SDIO1_CDATA2	SD card data
		2	SDIO1_CDATA3	SD card data
		3	SDIO1_CCMD	control command
		4	3.3VSD	3.3V power supply
		5	SDIO1_CCLK_OUT	Clock signal output
		6	GND	GND
		7	SDIO1_CDATA0	SD card data
		8	SDIO1_CDATA1	SD card data
		9	CARD_DECT	SD card detection
P5	J6	1	GND	GND
		2	+5V	Solar power 5V input
P6	J8	1	+5V_LI	Battery power toggle switch
		2	+5V_LI	Battery power toggle switch
		3	NC	NC
P7	J7	1	+5V	USB input power supply
		2	NC	NC
		3	NC	NC
		4	NC	NC
		5	GND	GND