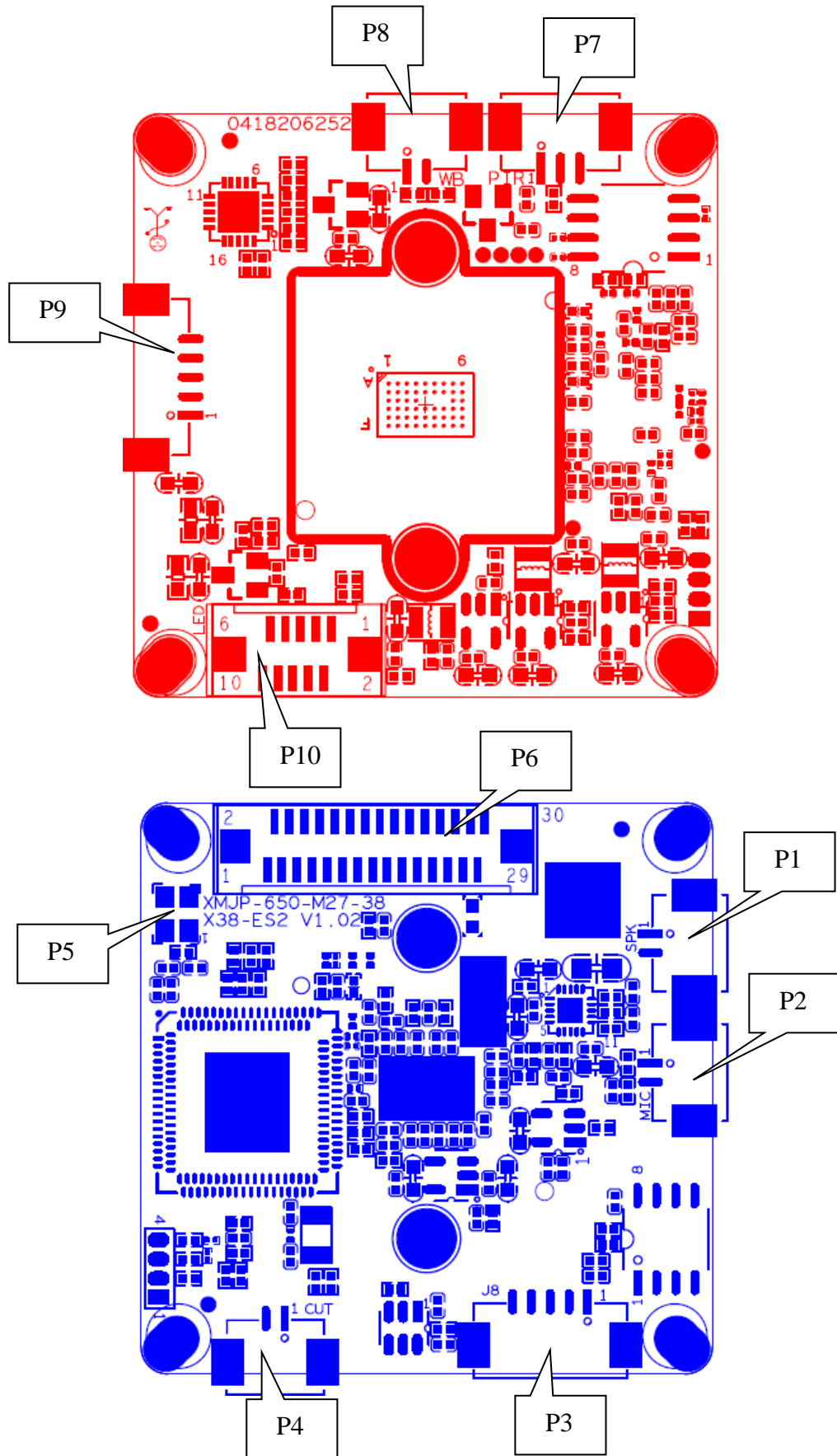
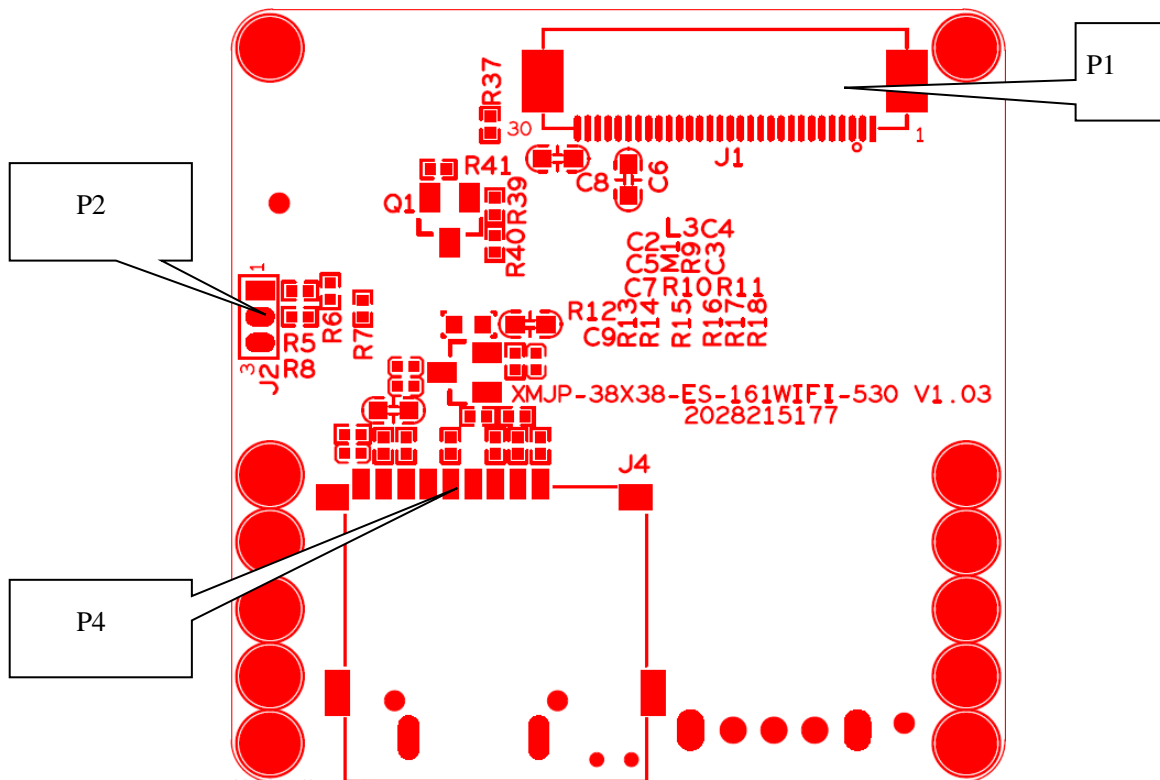
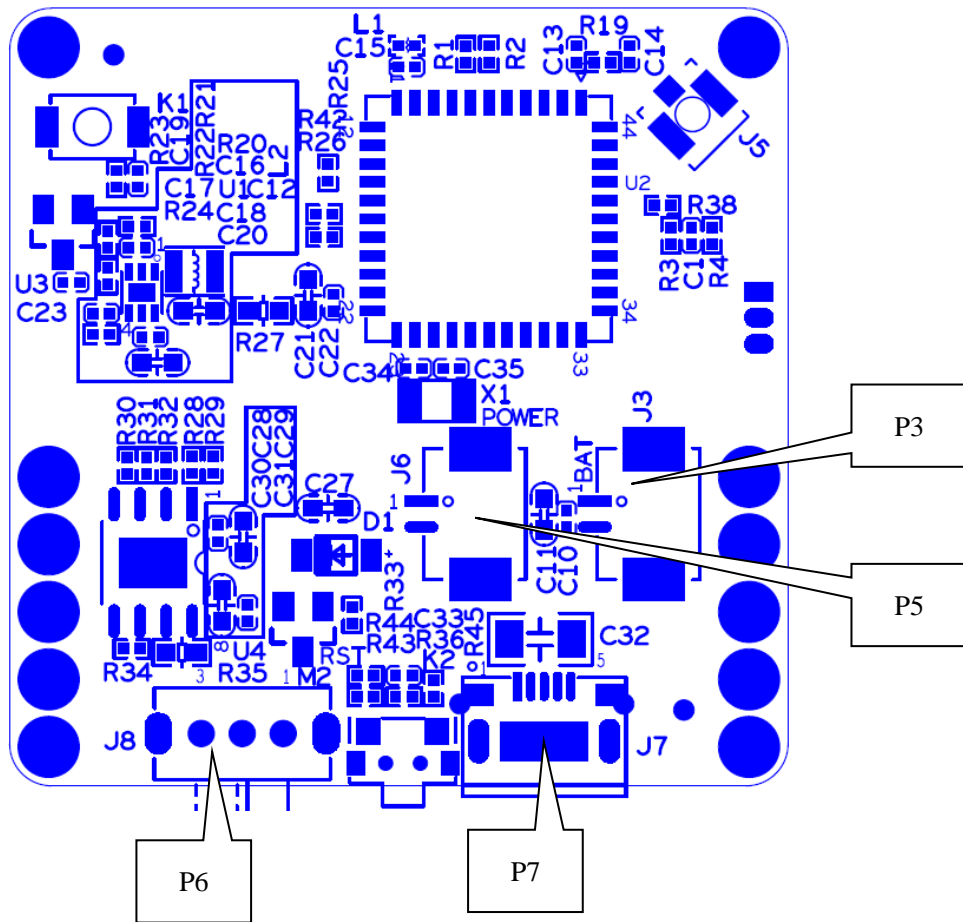


LPG-QG3X-S-Interface description



sign	Socket	Specific No	Interface Description	Function
P6	J4	1	SD1_CLK	wifi clock
		2	GND	GND
		3	SD1_CMD	WiFi command
		4	SD1_DO	Wifi signal
		5	GND	GND
		6	MCU_POWER_EN	Power enable
		7	PIR_IN	PIR sensing
		8	GND	GND
		9	CARD_DETECT	SD card detection
		10	SD_EN	SD card enable
		11	SDIO1_CDATA3	SD card data
		12	SDIO1_CDATA0	SD card data
		13	SDIO1_CDATA1	SD card data
		14	SDIO1_CDATA2	SD card data
		15	SDIO1_CCMD	SD card command
		16	SDIO1_CCLK_OUT	SD card clock output signal
		17	GND	GND
		18	SD1_HOST_INT0	WiFi interrupt signal
		19	MCU_LED1	LED lamp
		20	MCU_LED2	LED lamp
		21	SW_ON/OFF	switch
		22	GND	GND
		23	WB_IN	microwave signal
		24	GND	GND
		25	3.3V	3.3V power supply
		26	+5V_LI	4.2V lithium battery
		27	GND	GND
		28	GND	GND
		29	+5VBQ	4.2V power supply
		30	+5VBQ	4.2V power supply
P5	J5	1	UART0_RXD	Serial port
		2	UART0_TXD	Serial port

		3	GND	GND
P1	J6	1	VOP	Horn signal positive
		2	VON	Horn signal negative
P10	J3	1	GND	GND
		2	+5V_BQ	4.2V power supply
		3	3.3V	3.3V power supply
		4	3.3V	3.3V power supply
		5	GND	GND
		6	GND	GND
		7	LED_EN	Led input enable
		8	ADC_IN	Photosensitive signal
		9	MCU_LED1	LED lamp
		10	MCU_LED2	LED lamp
P2	J7	1	GND	GND
		2	MIC_P	MIC positive
P7	J1	3	Pir	PIR output signal
		2	地	GND
		1	3.3v_pir	PIR power supply
P3	J8	1	+5V_M2	Vertical motor power supply 4.2V
		2	V_MOT08	Vertical motor signal
		3	V_MOT07	Vertical motor signal
		4	V_MOT06	Vertical motor signal
		5	V_MOT05	Vertical motor signal
P4	J9	1	ICUT_P	ICUT signal
		2	ICUT_N	ICUT signal
P9	J2	1	+5V_M1	Horizontal motor power supply 4.2V
		2	4C	Horizontal motor signal
		3	3C	Horizontal motor signal
		4	2C	Horizontal motor signal
		5	1C	Horizontal motor signal
P8	J10	1	WB_IN	microwave signal
		2	+5V_BQ	4.2v power supply



sign	Socket	Specific No	Interface Description	Function
P1	J1	1	SD1_CLK	wifi clock
		2	GND	GND
		3	SD1_CMD	WiFi command
		4	SD1_DO	Wifi signal
		5	GND	GND
		6	MCU_POWER_EN	Power enable
		7	PIR_IN	PIR sensing
		8	GND	GND
		9	CARD_DETECT	SD card detection
		10	SD_EN	SD card enable
		11	SDI01_CDATA3	SD card data
		12	SDI01_CDATA0	SD card data
		13	SDI01_CDATA1	SD card data
		14	SDI01_CDATA2	SD card data
		15	SDI01_CCMD	SD card command
		16	SDI01_CCLK_OUT	SD card clock output signal
		17	GND	GND
		18	SD1_HOST_INT0	WiFi interrupt signal
		19	MCU_LED1	LED lamp
		20	MCU_LED2	LED lamp
		21	SW_ON/OFF	switch
		22	GND	GND
		23	WB_IN	microwave signal
		24	GND	GND
		25	3.3V	3.3V power supply
		26	+5V_LI	4.2V lithium battery
		27	GND	GND
		28	GND	GND
		29	+5VBQ	4.2V power supply
		30	+5VBQ	4.2V power supply

P2	K2	1		High level reset button
P3	J3	1	GND	GND
		2	Bat	Battery positive
P4	J4	1	SDIO1_CDATA2	SD card data
		2	SDIO1_CDATA3	SD card data
		3	SDIO1_CCMD	control command
		4	3.3VSD	3.3V power supply
		5	SDIO1_CCLK_OUT	Clock signal output
		6	GND	GND
		7	SDIO1_CDATA0	SD card data
		8	SDIO1_CDATA1	SD card data
		9	CARD_DECT	SD card detection
P5	J6	1	GND	GND
		2	+5V	Solar power 5V input
P6	J8	1	+5V_LI	Battery power toggle switch
		2	+5V_LI	Battery power toggle switch
		3	NC	NC
P7	J7	1	+5V	USB input power supply
		2	NC	NC
		3	NC	NC
		4	NC	NC
		5	GND	GND